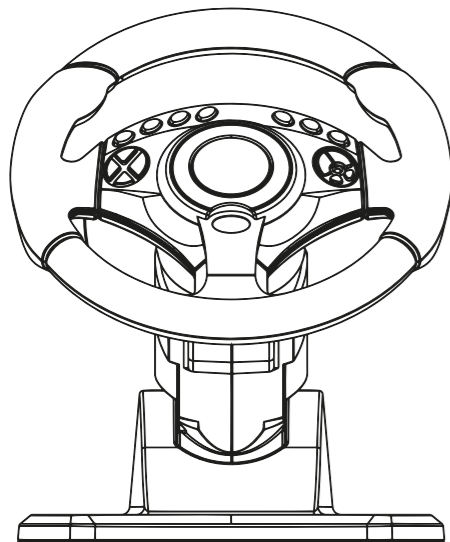


# Glazer

## Gaming wheel

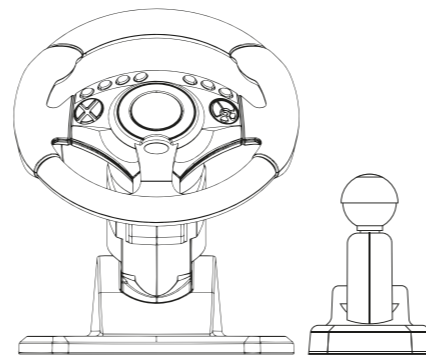
## Operation manual



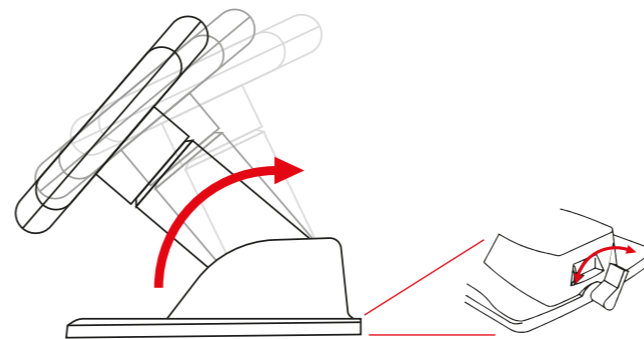
### 1. Table Functions Keys

Buttons	switch	PS3	PS4	PS5	Xbox one/S/X	Xbox 360	PC Xinput	PC Dinput	Android
A	A	※	※	※	A	A	A	3	A
B	B	○	○	○	B	B	B	2	B
X	X	△	△	△	X	X	X	4	X
Y	Y	□	□	□	Y	Y	Y	1	Y
L3	L3	L3	L3	L3	LSB	LSB	LSB	11	L3
R3	R3	R3	R3	R3	RSB	RSB	RSB	12	R3
SEL	-	SELECT	Share	Share	View	BACK	SELECT	9	SELECT
START	+	START	Option	Option	Menu	START	START	10	START
ANGLE	ANGLE	ANGLE	ANGLE	ANGLE	ANGLE	ANGLE	ANGLE	ANGLE	ANGLE
PS	HOME	PS	PS	PS	XBOX Guide	XBOX Guide	MODE	MODE (13)	
SEN	SEN	SEN	SEN	SEN	SEN	SEN	SEN	SEN	SEN
Replace key M	M	M	M	M	M	M	M	M	M
Gear lever R1	R	R1	R1	R1	RB	RB	RB	6	RB
Gear lever L1	L	L1	L1	L1	LB	LB	LB	5	LB
Gear lever L2	ZL	L2	L2	L2	LT	LT	LT	8	LT
Gear lever R2	ZR	R2	R2	R2	RT	RT	RT	7	RT
Handbrake handle	X	□	□	□	X	X	X	4	X
Pedal refueling	Y	※	※	※	RT	RT	RT	LY上	R2
Pedal brake	B	□	□	□	LT	LT	LT	LY下	L2
L3+R3 (3 seconds)									Switch to Android
SEL+START					share key				
Steering Wheel	LX	LX	LX	LX	LX	LX	LX	LX	LX

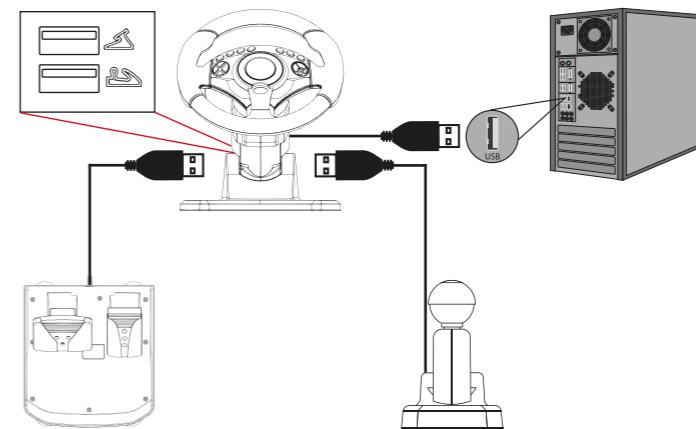
### 2. Installing the hand brake



### 3. Adjustment

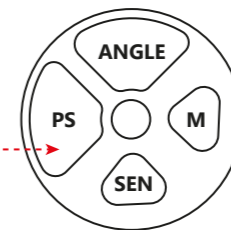


### 4. Connecting to Windows



By default, the steering wheel operates in Xinput mode

To switch to Dinput mode, press and hold for 3 seconds

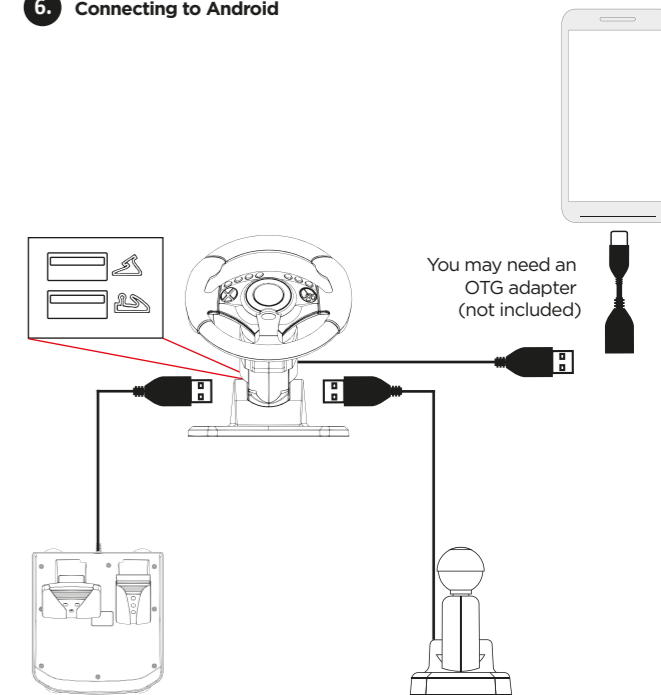


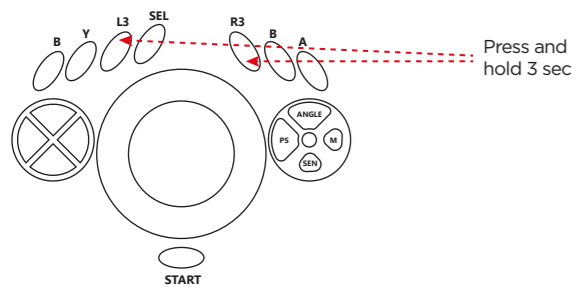
Download the archive with the steering wheel software from the product page on Defender.ru

### 5. Checking the serviceability of the steering wheel in Windows

1. Press WIN+R on your computer keyboard
2. In the window that opens, type joy.cpl and click OK
3. In the window that opens, select the steering wheel and click the "Properties" button
4. Turn the steering wheel and press the pedals and buttons to make sure they work

### 6. Connecting to Android





Press and hold 3 sec

### 7. Checking the serviceability of the steering wheel in Android

1. Download and install the Gamepad Tester application from Google Play

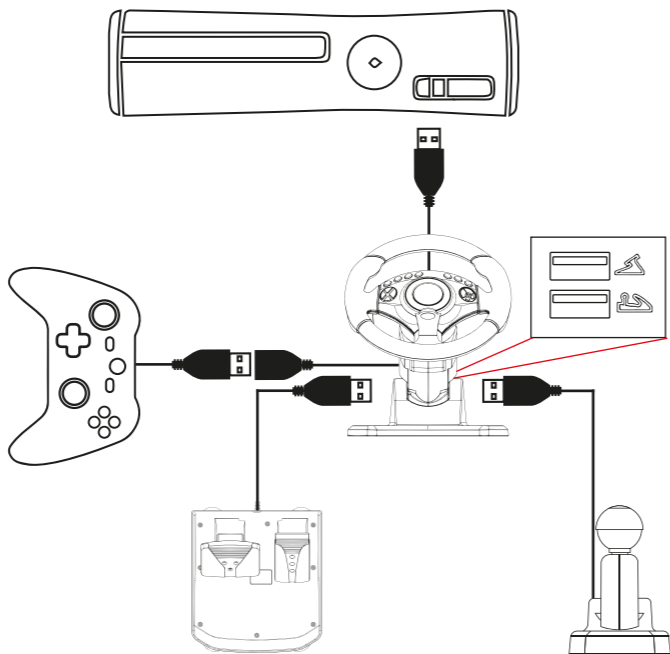


2. Turn the steering wheel and press the pedals and buttons to make sure they work

### 8. Connecting to XBOX 360

**ATTENTION:** to connect the steering wheel to the XBOX360, a wired gamepad from the XBOX 360 is required! It is impossible to connect the steering wheel to the XBOX360 using a wireless gamepad from the XBOX360!

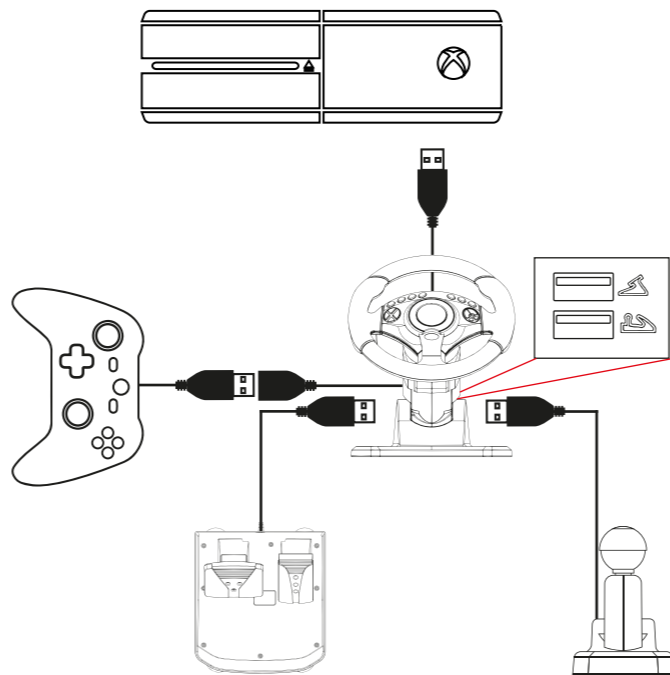
1. Connect the gearbox and pedals to the corresponding USB ports
2. Connect the wired gamepad from the XBOX 360 with a wire to the USB port on the steering wheel wire.



3. Connect the steering wheel to XBOX 360

### 9. Connecting to XBOX One

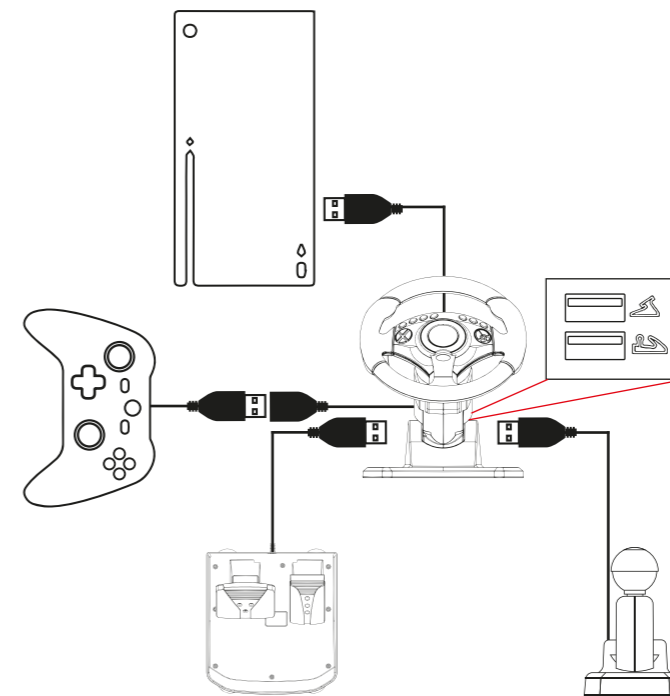
1. Turn off your XBOX One controller by holding the HOME button
2. Connect the gearbox and pedals to the corresponding USB ports
3. Connect the wired gamepad from the XBOX 360 with a wire to the USB port on the steering wheel wire.



4. Connect the steering wheel to XBOX One

### 10. Connecting to XBOX Series X

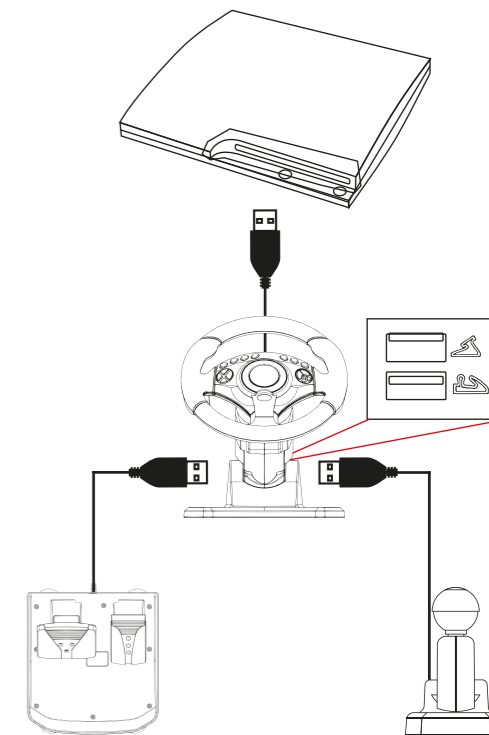
1. Turn off your XBOX Series X controller by holding the HOME button
2. Connect the gearbox and pedals to the corresponding USB ports
3. Connect the wired gamepad from the XBOX Series X with a wire to the USB port on the steering wheel wire.



4. Connect the steering wheel to XBOX Series X

### 11. Connecting to PS3

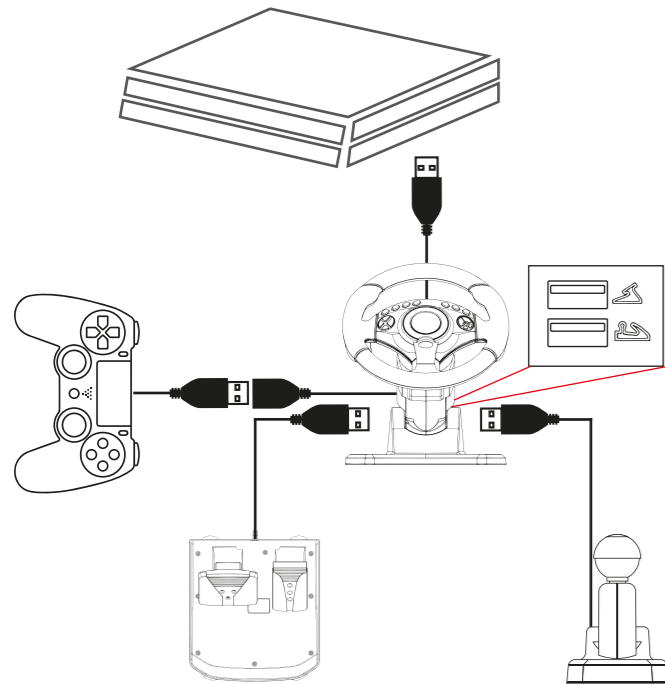
1. Connect the gearbox and pedals to the corresponding USB ports



2. Connect the steering wheel to PS3

## 12. Connecting to PS4

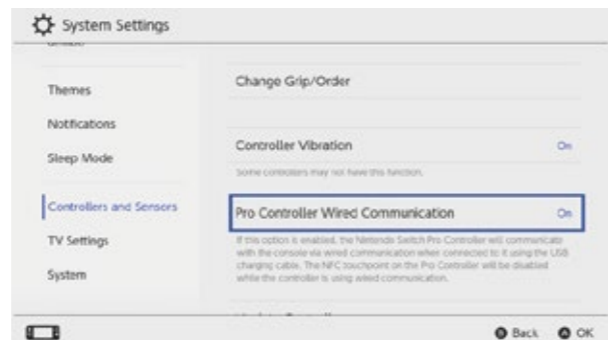
1. Turn off your PS4 controller while holding the HOME button
2. Connect the gearbox and pedals to the corresponding USB ports
3. Connect the wired gamepad from PS4 with a wire to the USB port on the steering wheel wire.



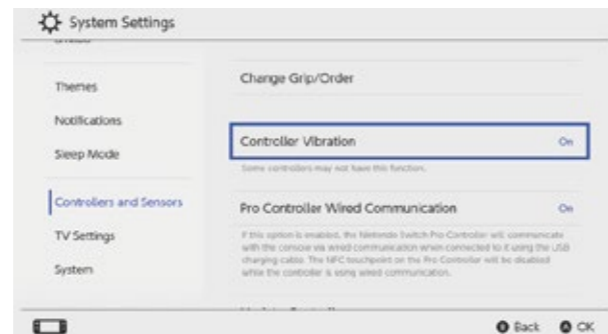
4. Connect the steering wheel to PS4

## 13. Connection to Switch

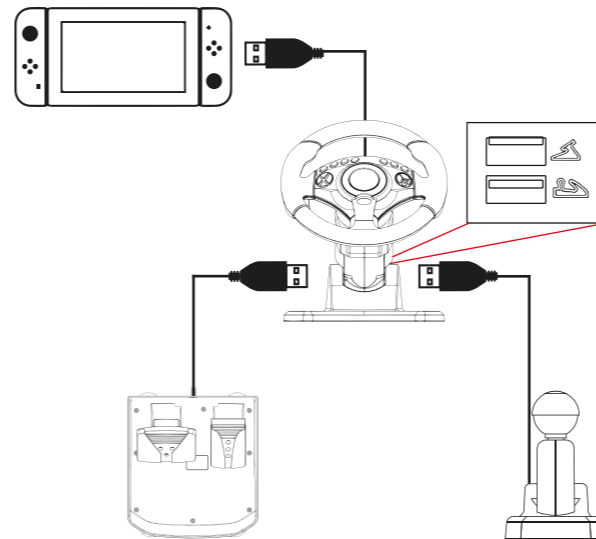
1. Open settings and in the **Controllers and Sensors** section set **Pro Controller Wired Communication to On**



2. Set **Controller Vibration to On** position



3. Connect the gearbox and pedals to the corresponding USB ports



4. Connect the steering wheel to Switch

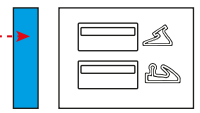
## 14. Adjusting the steering wheel angle

- Click to select angle: 
- 90°
  - 45°
  - 27°

## 15. Replacing button functions

You can set the gas/brake/clutch/handbrake function buttons to other steering wheel buttons

For example, let's make the handbrake work like the **R3** button:

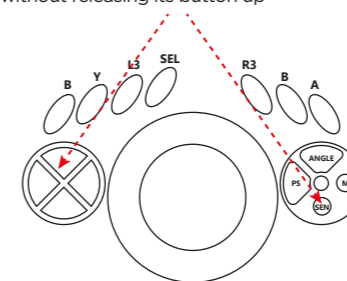
1. Press the **M** button and hold for about 2 seconds. The LED near the USB connectors will turn on. 
2. Apply the **handbrake**, the LED will start blinking.
3. Press the **R3** button, the LED will stop blinking.

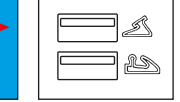
Now the **R3** button works as a **handbrake**.

## 16. Adjusting sensitivity

To increase sensitivity:

1. Press SEN and without releasing its button up



2. The steering wheel has 7 sensitivity levels. Depending on the set level, the LED near the USB connectors appears a certain number of times. For example, if level 3 - then three times, if 4 - then 4, etc. 

To decrease the sensitivity, press SEN and without releasing its button down

